

EXPLOSION VENTING DEVICE VENT PRO S



It is a safety device designed to relieve and release an explosion that might occur inside the protected equipment, where there is an environment with a risk of explosion. Under normal operating conditions, the relief area on the protected equipment is covered by Vent PRO S. If the pstat is exceeded during an explosion inside the equipment, Vent PRO S will open, thus releasing the pressure from the jeopardized area. The equipment will be exposed to a pressure lower than its pressure resistance.

This data sheet describes the technical parameters of Vent PRO S devices, which have a single-layer convex construction, which include an integrated frame and an optional integrated flange seal. They are suitable for applications with cyclic vacuum loads. They are manufactured in a rectangular design and comply with the standard EN 14 797. NFPA 68 and European Directive 2014/34 / EU.

CLASSIFICATION OF VENT PRO S

Equipment group	II.
Explosive atmosphere	D
Equipment category, indoor/outdoor	1D/2GD
Operating temperature	-40 to 230°C
Storage temperature	-10 to 40°C
Standard static opening pressure	10 kPa ±15%

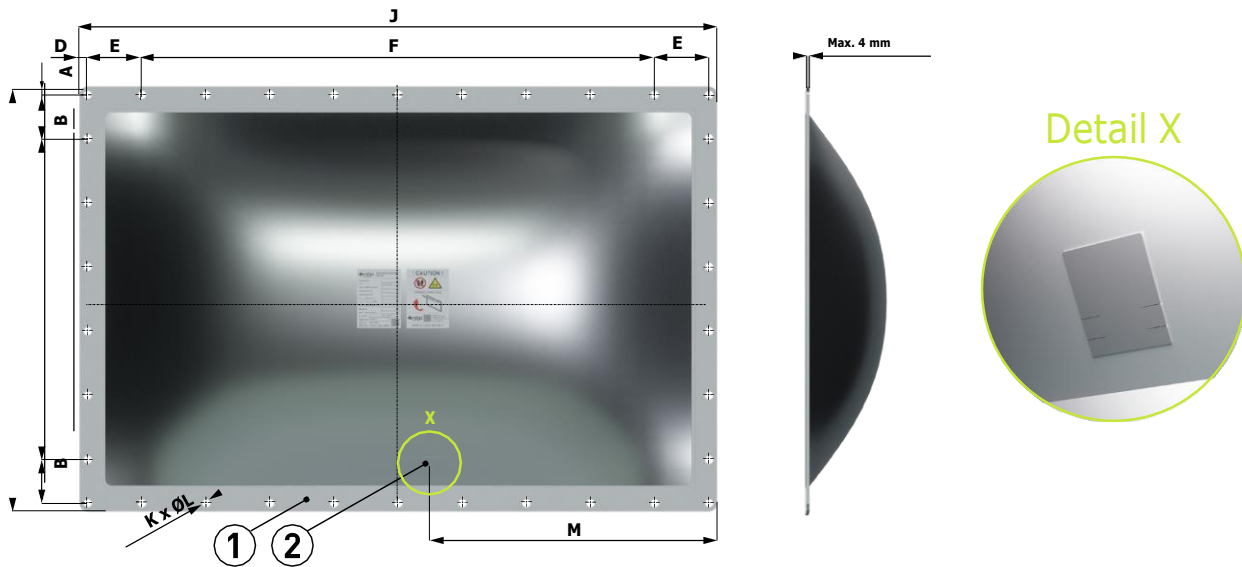
MATERIAL

Vent PRO S	Stainless steel
Vent PRO S sealing	EPDM, Silicon

OPTIONAL ACCESSORIES

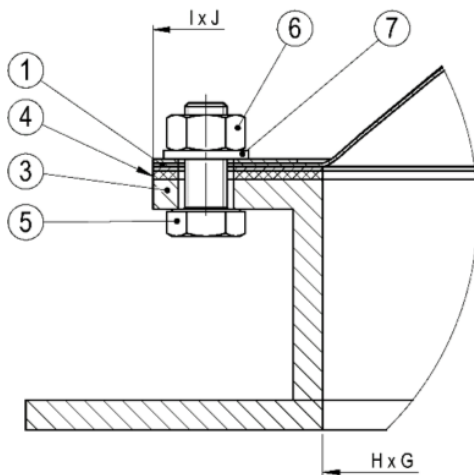
Opening indicator	Cable (type G1), magnetic (type G2) or additional (type G3)
Intrinsically safe relay	It is used to create the interface between the safe and dangerous zone
Integrated flange seal	EPDM, silicon
Thermal Insulation	Synthetic rubber-based foam
Fasteners	Screws - (strength 8.8 or A2-70), nuts ISO 4070, washers ISO 7090 (all in galvanized finish or stainless-steel design)

DIMENSIONAL DIAGRAM

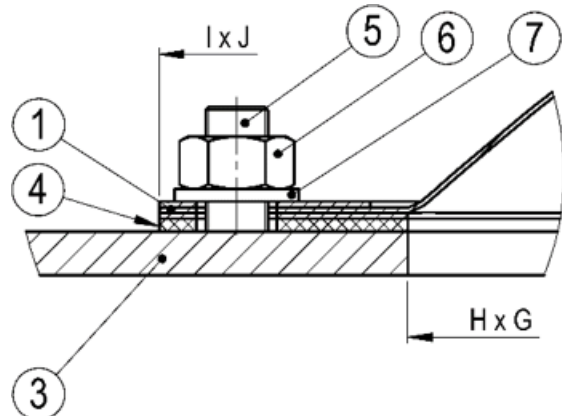


INSTALLATION VARIANTS

Installing with bolts



Installing with welded screws



Position	Components	Quantity
1	Vent PRO S	1
2	Universal opening indicator holder	1
3	Protected equipment ¹⁾	1
4	Flange gasket (can be integrated in Vent PRO S)	
5	Screw 2)	see 3)
6	Nut 2)	see 3)
7	Washer 2)	see 3)

1) The flange of the protected installation device Vent PRO S must meet the requirements of EN ISO 13920-BE and must be sufficiently rigid. In case of mounting on insufficiently rigid equipment, it is necessary to provide the flange with additional reinforcement.

2) Fasteners galvanized (strength 8.8) or stainless steel (strength A2-70).

3) Number according to the table of technical parameters.

Installation note:

If the Vent PRO S is not equipped with an integrated flange seal, it is necessary to use another suitable flange seal or sealant to seal the area between the Vent PRO S and the technology flange

Dimension	Vent area [m2]	Hole dimension in equipment H x G [mm]	External dimension I x J [mm]	A [mm]	B [mm]	C [mm]		D [mm]	E [mm]	F [mm]		screws / holes		M [mm]	Max. underpressure [bar]
						number of holes	spacing			number of holes	spacing	K	ØL [mm]		
229x229	0.05	229x229	309x309	14.5	93	2	94	14.5	93	2	94	12	13	154.5	-0.35
260x260	0.07	260x260	340x340	16	103	2	102	16	103	2	102	12	13	170	-0.35
220x540	0.12	220x540	300x620	16	90	2	88	16	98	5	98	18	13	261	-0.35
305x457	0.14	300x452	390x542	10	76	3	102	10	102	4	101	18	13	270.5	-0.35
340x440	0.15	340x440	400x500	13	93.5	3	93.5	13	118.5	3	118.5	16	13	190.8	-0.35
610x290	0.17	605x285	685x365	11.5	114	2	114	12.5	114	2	114	18	13	397.5	-0.3
630x290	0.19	625x285	705x385	16	118	2	117	16.5	112	5	112	18	13	408.5	-0.35
490x590	0.28	485x585	565x665	17.5	90	5	1)	17.5	90	6	90	26	13	332.5	-0.35
450x800	0.36	450x800	530x880	15	125	3	125	15	110	6	126	22	13	440	-0.3
578x851	0.47	560x845	658x931	16.1	102.3	5	102	16.1	99.4	8	100	30	13	465.5	-0.35
586x920	0.53	581x915	661x995	12.5	68	6	100	12.5	85	9	100	34	13	447.5	-0.3
920x920	0.84	915x915	995x995	12.5	85	9	100	12.5	85	9	100	40	13	447.5	-0.3
851x1162	0.98	845x1162	931x1242	12.95	99.4	8	100	12.95	100	11	1)	42	13	672	-0.3
1020x1020	1.01	1015x1015	1095x1095	12.5	107	9	107	12.5	107	9	107	40	13	494	-0.3
915x1118	1.01	910x1113	990x1193	12.5	82.5	9	100	12.5	111.5	10	105	42	13	596.5	-0.3
1130x1130	1.28	1130x1130	1220x1220	20	90	11	100	20	90	11	100	48	13	560	-0.3

1) Contact the manufacturer for further dimensions and further information. Comply with a tightening torque of 21 Nm.