

FLAP POSITION INDICATOR

(For installations with ambient temperatures from -20°C to 80°C)



Installation:

- Observe the relevant national laws and regulations.
- Avoid electrostatic charges on plastic units and cables.
- Protect the device and the cable from damage.
- Units are not suitable for wall mounting that separate zone 0 from zone 1.
- The appropriate electrical installation regulations must be observed.
- Equipotential bonding of the metal sheath parts must be ensured by suitable mounting
- If installed in an explosion zone, it must be connected via a safe circuit (eg intrinsically safe relay)
- Interconnection in the box installed on the outer shell of the flap
- Product properties:
- Inductive Sensor, Metal Thread, M8 x 1, Connected to Proven, Secured Current Circuit, Highest Value U = 15 V / I = 50 mA / P = 120 mW, ATEX certificate, Group II, category 1D / 1G, Cable design, Switching distance 1 mm [b].

ELECTRICAL DATA

Electrical connection	Connection to the proven, secured circuit with the highest value U = 15 V / I = 50 mA / P = 120 mW
Rated voltage □V□	8,2 DC (1Ω)
Connection voltage □V□	7,5 ... 30 DC, when used outside the Ex zone
Current consumption □mA□	< 1 disconnection; (> 2,1 mA lead)
Cover class	III.

OUTPUTS

Output functions	switch
Current carrying capacity □mA□	< 30, when used outside the Ex zone
Switching frequency □Hz□	2000

RESEARCH AREA

Switching distance □mm□	1
Real switching distance (Sr) □mm□	1 ± 10 %

ACCURACY / DEVIATIONS

Correction factors	steel (St37) = 1 / V2A ca. 0,7 / Ms ca. 0,5 / Al ca. 0,4 / Cu ca. 0,3
Hysteresis □% ze Sr□	1 ... 15
Deviation of switch point □% ze Sr□	-10 ... 10

AMBIENT CONDITIONS

Ambient temperature $\square^{\circ}\text{C}\square$	-20 ... 80
Cover	IP 67

APPROVAL / TESTS

Certificate	PTB 01 ATEX 2191BVS 04 ATEX E153
Device designation	Ex II 1G Ex ia IIC T6 Ga Ta: - 20...70° C Ex II 1G Ex ia IIC T5 Ga Ta: -20...80° C Ex II 1D Ex ia IIIC T90° C Da Ta: - 20...70° C Ex II 1D Ex ia IIIC T100° C Da Ta: -20...80° C
Electromagnetic Compatibility	EN 60947-5-6
Impact resistance / vibrations	30 g (11 ms) / 10-55 Hz (1 mm)
MTTF $\square\text{years}\square$	6204

SAFETY RATED VALUES

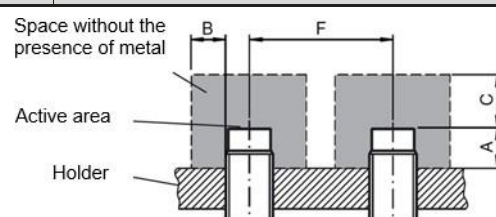
Own capacity $\square\text{ nF}\square$	< 80
Own inductivity $\square\ \mu\text{H}\square$	< 70

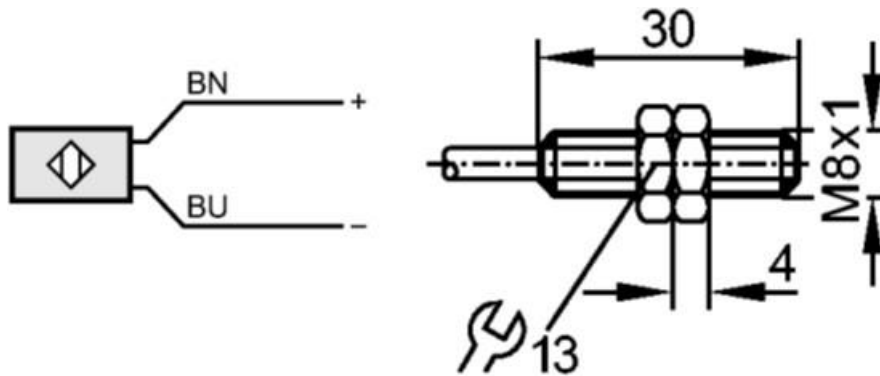
MECHANICAL DATA

The way of installation	Coupling installation
Housing material	Brass specially coated, surface active. PBT
Weight $\square\text{kg}\square$	0,092

CONNECTION OF CONTACTS

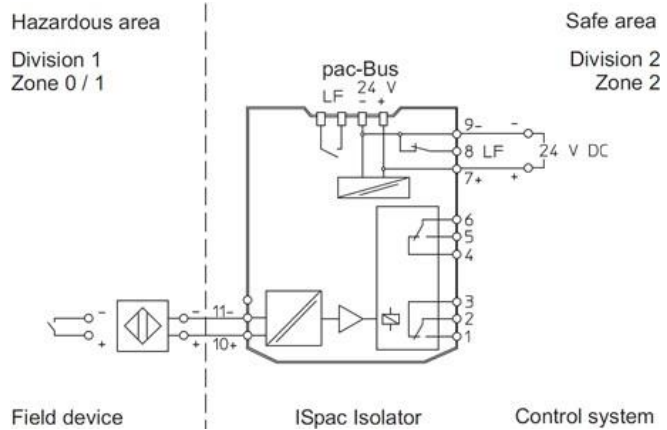
Color of wires:	BN brown BU blue
-----------------	------------------------





Intrinsically safe relay

11-11-11	24V	1 - channel, relay output (signal) 3G/3D*
21-11-11	24V	2 - channel, relay output (signal) 3G/3D*
21-10-11	24V	2 - channel, relay output (signal) 3G/3D*
11-11-21	230 V	1 - channel, relay output (signal)
21-11-21	230 V	2 - channel, relay output (signal)
21-10-21	230 V	2 - channel, relay output (signal)
11-12-11	24V	1 - channel, relay output (power)
21-12-11	24V	2 - channel, relay output (power)
11-12-21	230 V	1 - channel, electronic
21-12-21	230 V	2 - channel, electronic
11-14-11	24V	1 - channel, electronic 3G/3D*
21-14-11	24V	2 - channel, electronic 3G/3D*
11-14-12	24V	1 - channel, electronic LFT 3G/3E
21-14-12	24V	2 - channel, electronic LFT 3G/3E



Connection box

